
19pcs 15w 4in1 LEDs moving head light

User Manual



This manual contains important information.
Please read before operating fixture.

1 SECURITY TIPS

WARNING!!! To reduce the risk of fire, electric shock, or injury to persons, follow these important safety instructions:

- non-professionals, not to disassemble the light arbitrarily and lighting accessories inside.
- rated voltage range: AC110V-120V/60Hz or AC200V-240V / 50HZ (to be selected).
- not beam irradiate the flammable materials, flammable materials and the lamp should be maintained at least 1M over the distance.
- lamps used in ambient temperature: -15 °C -40 °C, the highest temperature of the surface of the lamp: 60 °C.
- to keep away from the liquid substance and humid environment.
- before using the lights must ensure the good grounding, can not install charging and remove any parts.
- the installation of lamps, must be fixed screw fasteners with additional security cable and regular inspection.
- lamps consecutive working hours is not recommended more than 10 hours.
- should stop using the lights in time when happens unusual conditions during the process
- lamp parts of the rotation, external accessories and paste parts should be regular inspected, such as the emergence of loose and rock, should be reinforced in a timely manner to prevent the accident.
- lamps adopt strong winds to refrigerate, it is easy to accumulate the dust, so you have to clean it weekly especially the cooling air opening, otherwise the dust will plug leading to poor light

Warranty Card

Name	Model	Production	Purchase
End User		Sale Store	
Company Name:		Link man:	Stamp
Add:			

Description: These must be truthfully fill, seal by the end-user and point-of-sale, or else the warranty will not work (warranty period and terms, see the following)

warranty period: one year since purchase warranty terms: 1、 If fail when using the product in normal state, you can made under the provisions of the warranty, show the warranty card and purchase bills(copy), and enjoy free maintenance service in a specific service center or the manufacturer.

2. The following will be the implementation of paid service:

- (1)Without the effective warranty card
- (2)There's blank, alter and no point-of-sale name
- (3)Fail caused by unresistance
- (4)Fail caused by transportation or unloading
- (5)Fail caused by not operate by manual
- (6)Fail caused by disassemble without unauthorized
- (7)Fail caused by using the unauthorized control system

Note:

Based on our company continue to improve the product, the statement containing data may have changed, and will not notice the change any more. Company retains its right to change specifications related when product is improved. Thanks for your understanding.

2 TECHNOLOGY REFERENCE

Power supply : 100-240V 50/60Hz

Power : 350W

LAMP SOURCE:19×15W Osram RGBW LEDs,

LED Average Life : 50,0000 h

Zoom : 4°-60° Electronic Zoom Range

Individual LED control for each parameter

3 DMX Modes : 21CH Standard , 35/78/97/92 CH Extended , 23CH Normal

Pan : 540° , 16 bit

Tilt : 210° , 16 bit

0-100% linear electronic dimmer

Adjustable speed stop/strobe effect, with instantaneous blackout

Three operating modes: wash, beam, FX (Kaleido effects)

Bi-directional Rotating Front Lens

Digital Wash-Beam Framing effect

Beam edge softening control (in Wash mode)

Pixel Patterning Macros with enhanced control

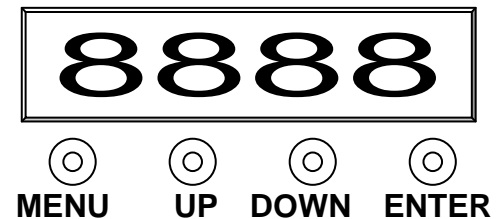
DMX signal connection: 3 Pin XLR input and output

Power Con In and Out

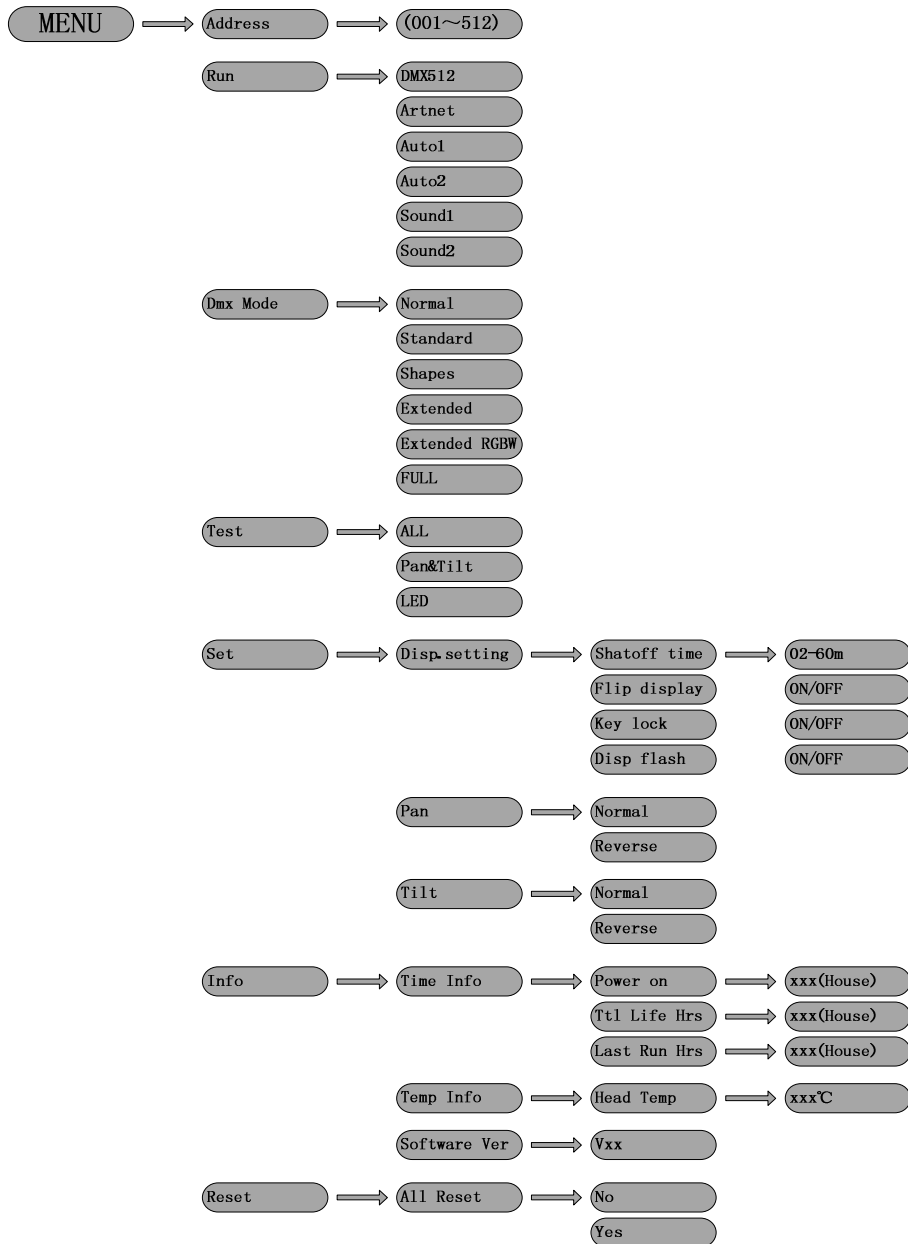
Net Weight : 15KG

Size:494*358*253

3 Board Instruction



Menu Map



Must install the second protection when fixing the equipment like proper protective screening. The second protection is used to prevent drop off and lost of lamp and components.

Lamps can directly install the lamp holder , which is shown in the

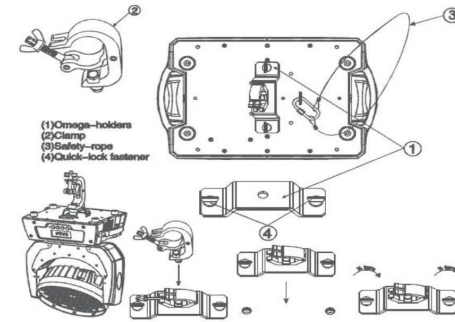


figure:

6 MAIN MACHINE CONNECTION

Please checking the power equipment supported.

Please put the plug of power source wire connect with the main power source .

(EU)Wire	Wire(America)	Direction of wire	General marks
Brown	Black	Live	L
Light blue	White	Neutral	N
Yellow/Green	Green	Earth	⊕



7	Zoom Rotation
8	Dimmer
9	Strobe
10	Red
11	Green
12	Blue
13	White
14	Macro color
15	Shape Selection
16	Shape Speed
17	Shape Fade
18	Shape R
19	Shape G
20	Shape B
21	Shape W
22	Background Dimmer
23	Reset

5 FIXED EQUIPMENT

Please keep the equipment far away from the flammable objects like finishing material, etc. keep at least 0.5m distance from the flammable objects.

Warning: using two lamp clamps fix the equipment on the bottom of the lamp holder according to the instruction. to make sure the place of install the lamp is safe and suitable ,and the installation point that have chosen is safety and reliable.

The place of installing the lamp must support the 10 times weight of the lamp itself. And test the pensile place and make sure the place isn't out of the shape.

4 DMX CHANNEL SHEET

STANDARD Channel

CHANNEL	CHANNEL MODE
1	Red
2	Red fine
3	Green
4	Green fine
5	Blue
6	Blue fine
7	White
8	White fine
9	Linear CTO
10	Macro colour
11	Strobe
12	Dimmer
13	Dimmer Fine
14	Pan
15	Pan Fine
16	Tilt
17	Tilt Fine
18	Function
19	Reset
20	Zoom
21	Zoom Rotation

EXTENDED Channel

CHANNEL				CHANNEL MODE
CH35	CH78	CH97	CH92	
1	1	1	1	Red
2	2	2	2	Red fine
3	3	3	3	Green
4	4	4	4	Green fine
5	5	5	5	Blue
6	6	6	6	Blue fine
7	7	7	7	White
8	8	8	8	White fine
9	9	9	9	Linear CTO
10	10	10	10	Macro colour
11	11	11	11	Strobe
12	12	12	12	Dimmer
13	13	13	13	Dimmer Fine
14	14	14	14	Pan
15	15	15	15	Pan Fine
16	16	16	16	Tilt
17	17	17	17	Tilt Fine
18	18	18	18	Function
19	19	19	19	Reset
20	20	20	20	Zoom
21	21	21	21	Zoom Rotation
22			22	Shape Selection
23			23	Shape Speed
24			24	Shape Fade
25			25	Shape R
26			26	Shape G
27			27	Shape B
28			28	Shape W
29			29	Shape Dimmer

30			30	Background Dimmer
31			31	Shape Transition
32			32	Shape Offset
33			33	Foreground Strobe (reserved)
34			34	Background Strobe (reserved)
35			35	Background Select (reserved)
	22	22	36	Red LED 1
	23	23	37	Green LED 1
	24	24	38	Blue LED 1
		25		White LED 1
	Red LED ...
	Green LED ...
	Blue LED ...
			White LED ...
	90	Red LED 18
	91	Green LED 18
	92	Blue LED 18
		93		White LED 18
	76	94	90	Red LED 19
	77	95	91	Green LED 19
	78	96	92	Blue LED 19
		97		White LED 19

NORMAL Channel :

CHANNEL	CHANNEL MODE
1	Pan
2	Pan Fine
3	Tilt
4	Tilt Fine
5	XY Speed
6	Zoom